

**FR101GP
THRU
FR107GP**

Features

- Low Cost
- Low Leakage
- Low Forward Voltage Drop
- High Current Capability
- Fast Switching Speed For High Efficiency
- Glass Passivated Junction

Maximum Ratings

- Operating Temperature: -65°C to +175°C
- Storage Temperature: -65°C to +175°C

| Microsemi Catalog Number | Device Marking | Maximum Recurrent Peak Reverse Voltage | Maximum RMS Voltage | Maximum DC Blocking Voltage |
|--------------------------|----------------|--|---------------------|-----------------------------|
| FR101 | --- | 50V | 35V | 50V |
| FR102 | --- | 100V | 70V | 100V |
| FR103 | --- | 200V | 40V | 200V |
| FR104 | --- | 400V | 280V | 400V |
| FR105 | --- | 600V | 420V | 600V |
| FR106 | --- | 800V | 560V | 800V |
| FR107 | --- | 1000V | 700V | 1000V |

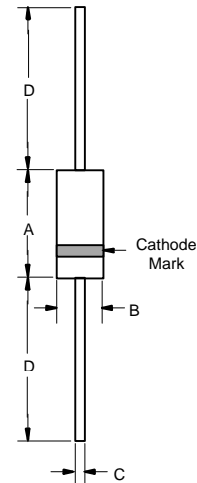
Electrical Characteristics @ 25°C Unless Otherwise Specified

| | | | |
|--|-------------|--|--|
| Average Forward Current | $I_{F(AV)}$ | 1 A | $T_A = 55^\circ\text{C}$ |
| Peak Forward Surge Current | I_{FSM} | 30A | 8.3ms, half sine |
| Maximum Instantaneous Forward Voltage | V_F | 1.3V | $I_{FM} = 1.0\text{A};$ $T_A = 25^\circ\text{C}$ |
| Maximum DC Reverse Current At Rated DC Blocking Voltage | I_R | 5.0 μA 100 μA | $T_A = 25^\circ\text{C}$ $T_A = 100^\circ\text{C}$ |
| Maximum Reverse Recovery Time FR101-104 FR105 FR106-107 | T_{rr} | 150ns 250ns 500ns | $I_F=0.5\text{A}, I_R=1.0\text{A},$ $I_{rr}=0.25\text{A}$ |
| Typical Junction Capacitance | C_J | 15pF | Measured at 1.0MHz, $V_R=4.0\text{V}$ |

*Pulse Test: Pulse Width 300 μsec , Duty Cycle 1%

**1 Amp Glass
Passivated Rectifier
50 to 1000 Volts**

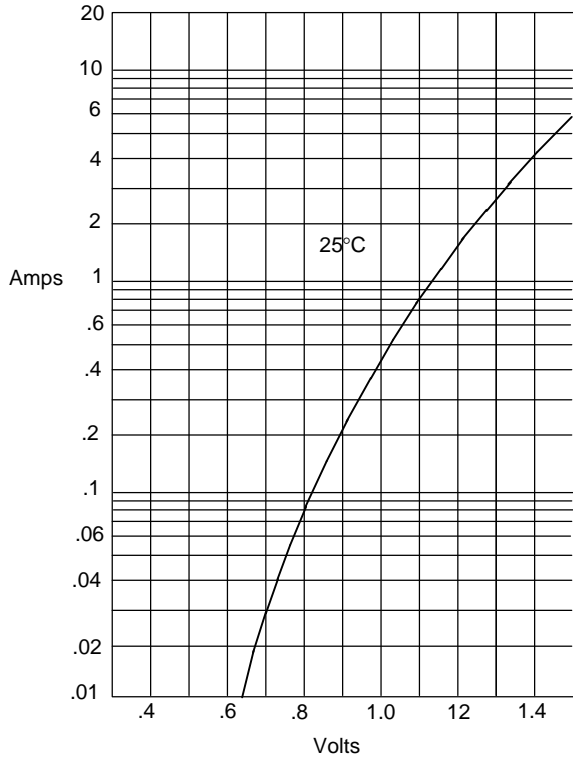
DO-41



| DIM | DIMENSIONS | | | | NOTE |
|-----|------------|------|-------|------|------|
| | INCHES | | MM | | |
| A | .166 | .205 | 4.10 | 5.20 | |
| B | .080 | .107 | 2.00 | 2.70 | |
| C | .028 | .034 | .70 | .90 | |
| D | 1.000 | --- | 25.40 | --- | |

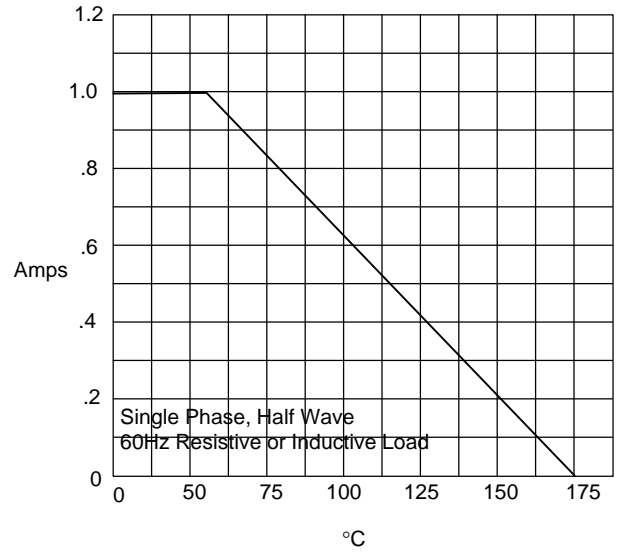
FR101GP thru FR107GP

Figure 1
Typical Forward Characteristics



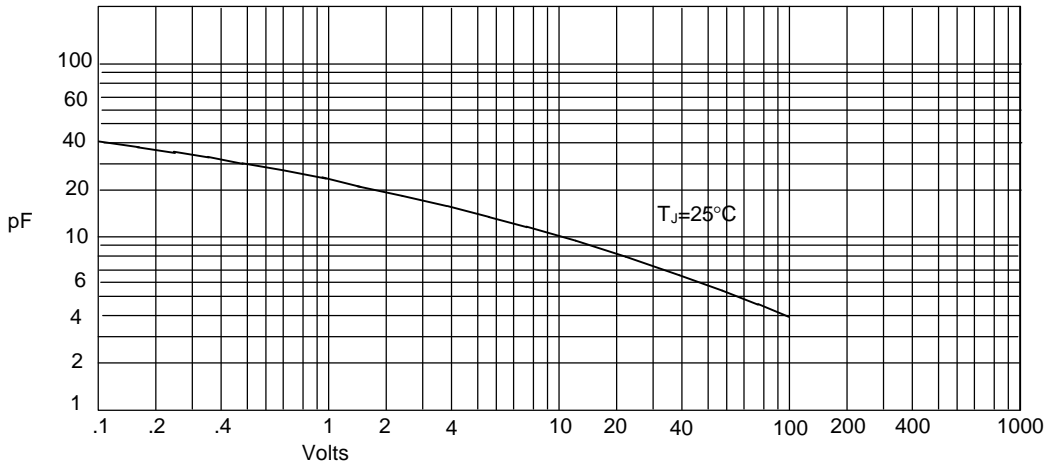
Instantaneous Forward Current - Amperes versus
Instantaneous Forward Voltage - Volts

Figure 2
Forward Derating Curve



Average Forward Rectified Current - Amperes versus
Ambient Temperature - °C

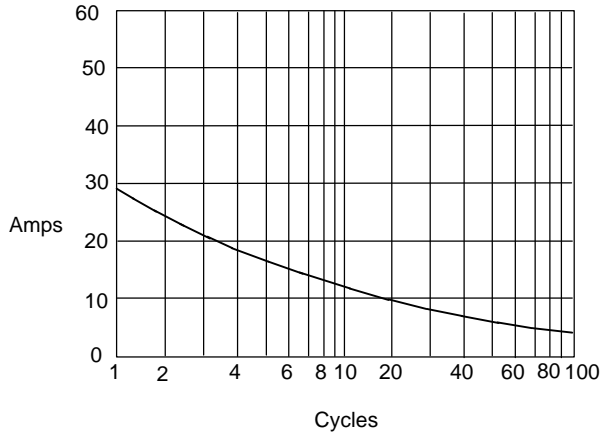
Figure 3
Junction Capacitance



Junction Capacitance - pF versus
Reverse Voltage - Volts

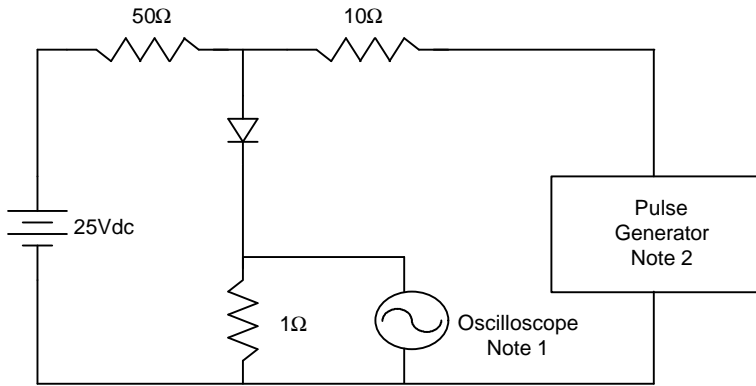
FR101GP thru FR107GP

Figure 4
Peak Forward Surge Current



Peak Forward Surge Current - Amperes versus
Number Of Cycles At 60Hz - Cycles

Figure 5
Reverse Recovery Time Characteristic And Test Circuit Diagram



- Notes:
1. Rise Time = 7ns max.
Input impedance = 1 megohm, 22pF
 2. Rise Time = 10ns max.
Source impedance = 50 ohms
 3. Resistors are non-inductive

